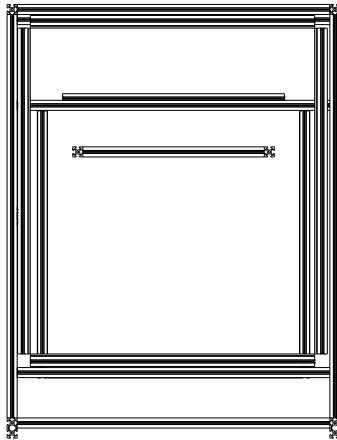
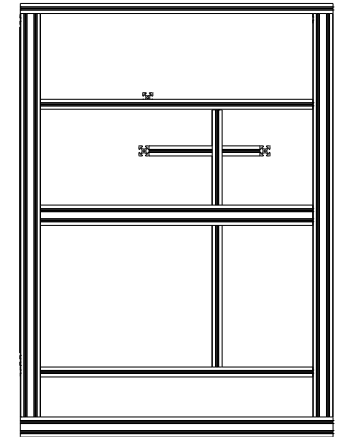


# Clock 3 Frame

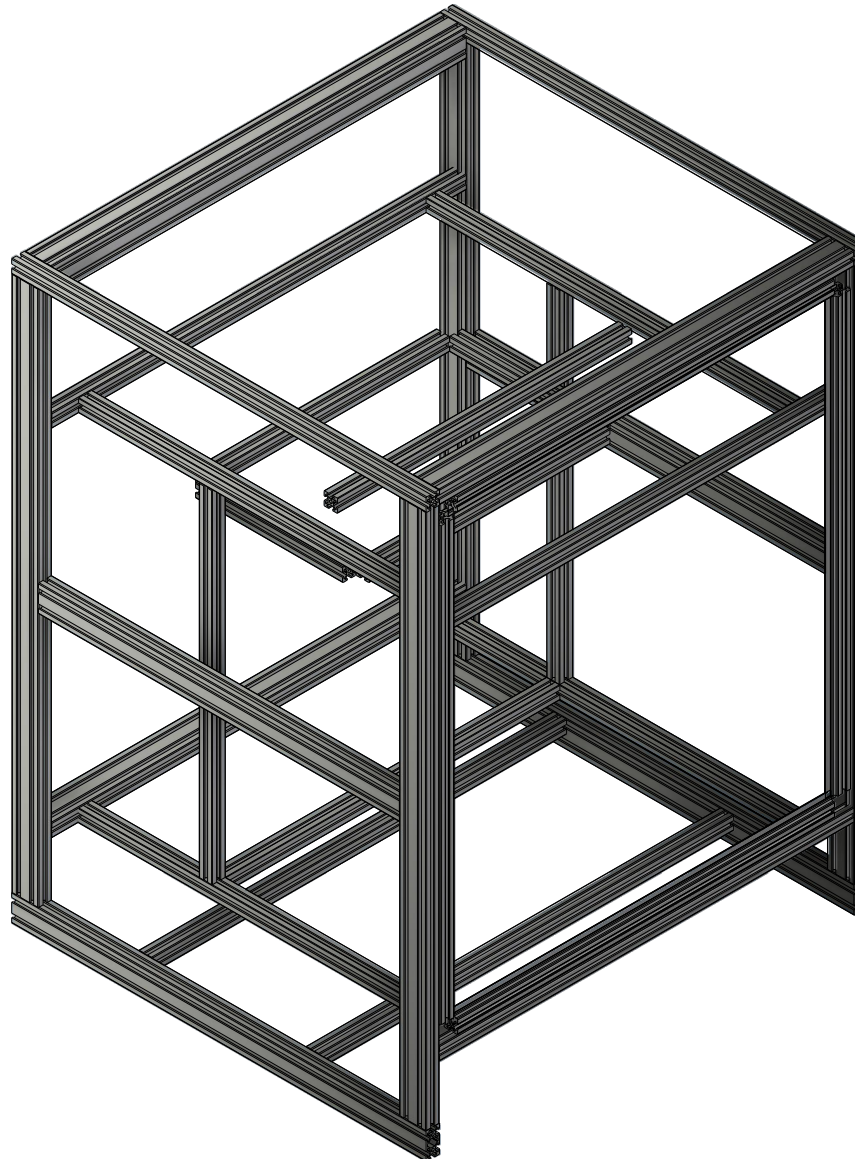
Front



Side



For consistency,  
this top/side/front  
isometric view is  
the direction all  
views in this guide  
use to locate parts.



## Labeling and Identifying the Frame

This is a simplified view of the outer frame to show how pieces of the frame are identified.

Each piece is labeled following the 'FTL' rule: Front first, then Top, on the Left side.

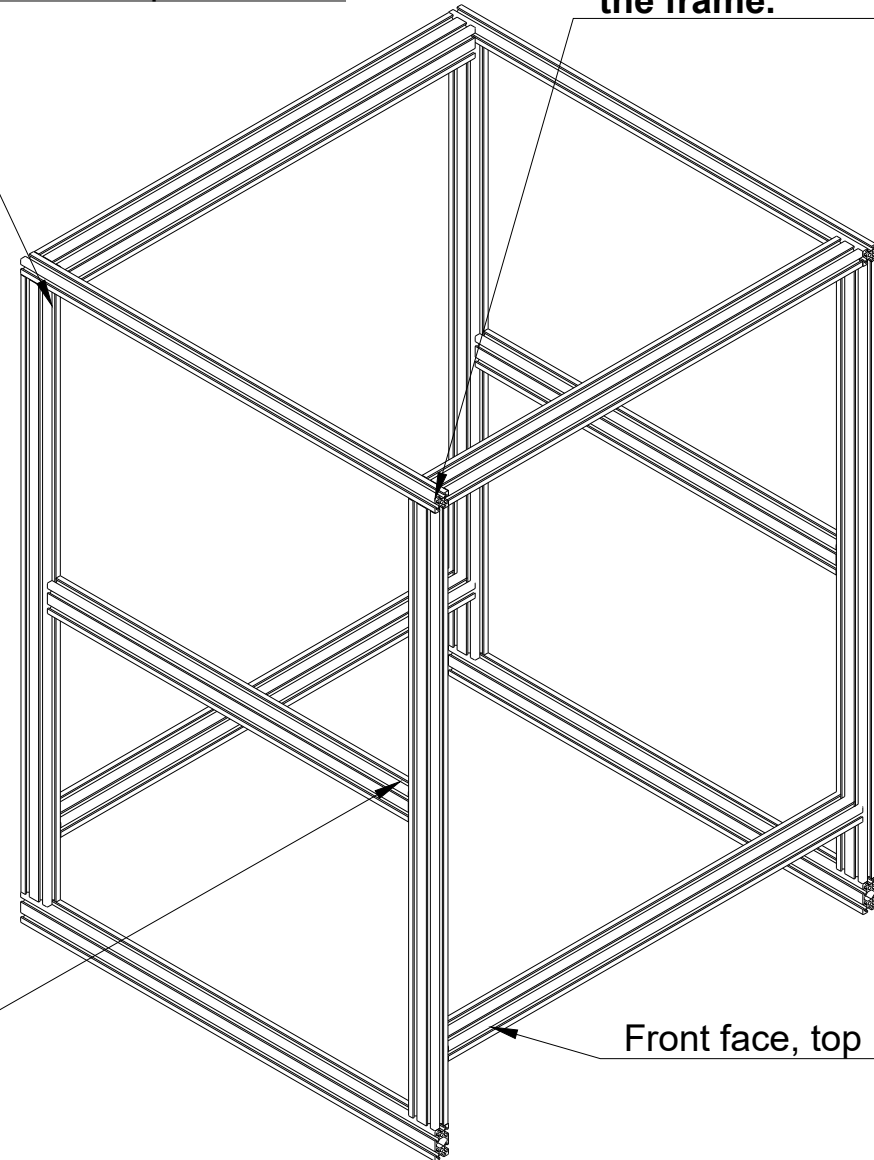
If a piece has a front face, mark the top left corner with the piece's ID, whether with a sticker or Sharpie. Otherwise, mark the top face in the front left corner.

We will be putting a lot of tee nuts into the frame. They cannot be removed or added without disassembling the frame, so accuracy is important here.

This piece does not have a front face. Place the label or mark on the **top** face instead, in the front left corner.

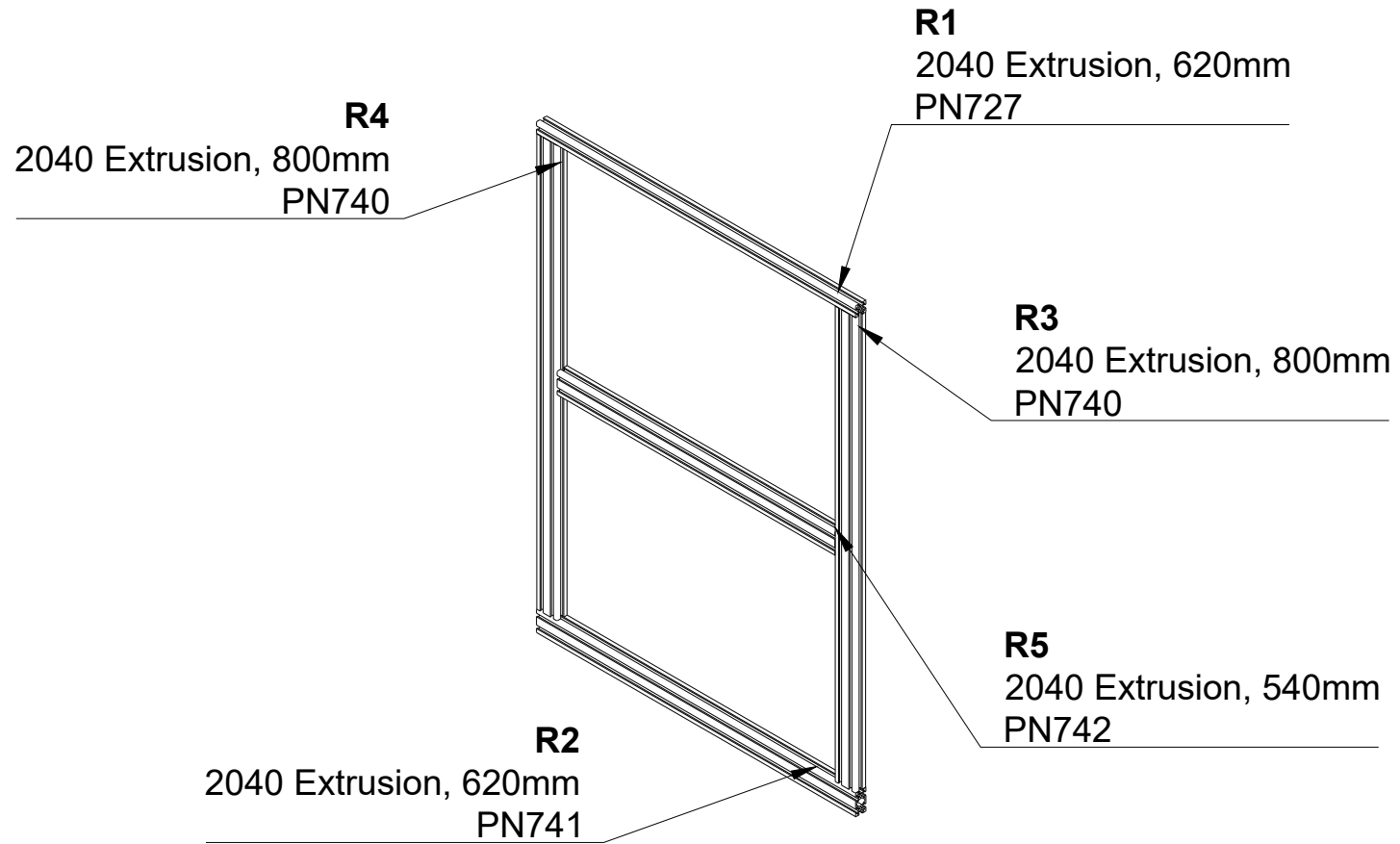
Front face, top left corner

For reference, this is the front, top left corner of the frame.



Front face, top left corner

# Outer Right Frame



# Outer Left Frame

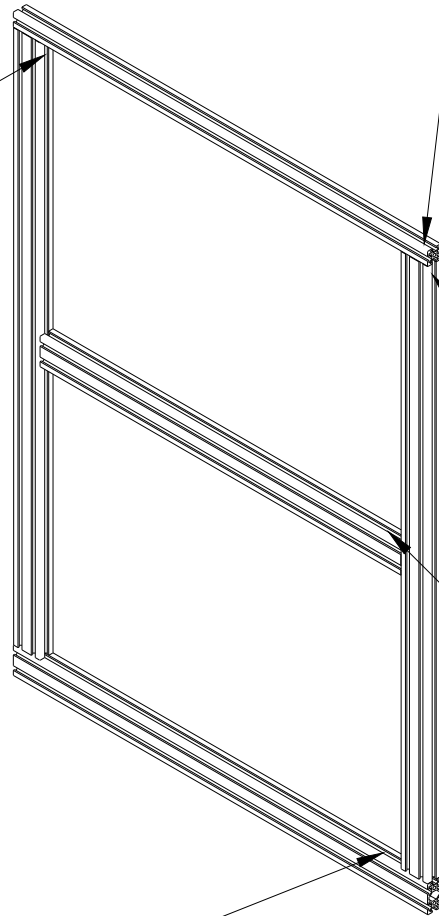
**L4**  
2040 Extrusion, 800mm  
PN740

**L1**  
2020 Extrusion, 620mm  
PN727

**L3**  
2040 Extrusion, 800mm  
PN740

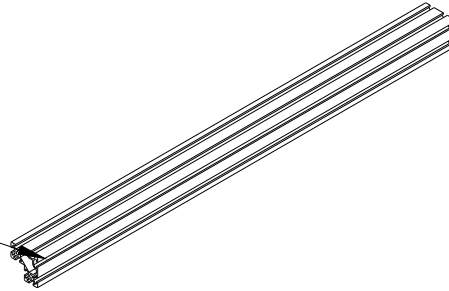
**L5**  
2040 Extrusion, 540mm  
PN742

**L2**  
2040 Extrusion, 620mm  
PN741

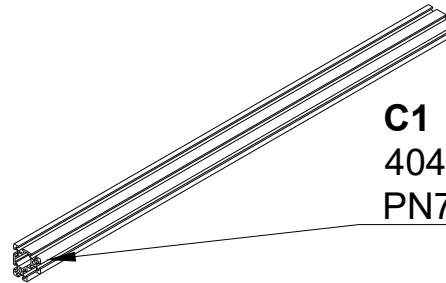


# Front and Rear Crossbars

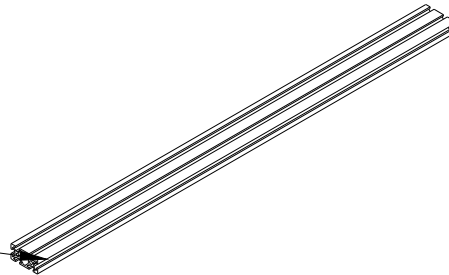
**C2**  
404020 Extrusion, 620mm  
PN750



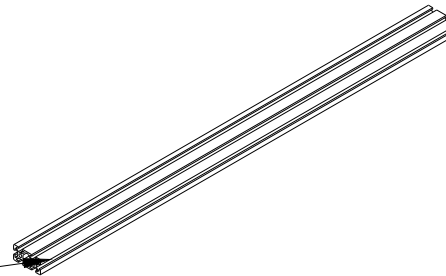
**C1**  
404020 Extrusion, 620mm  
PN750



**C4**  
2040 Extrusion, 620mm  
PN741



**C3**  
2040 Extrusion, 620mm  
PN741



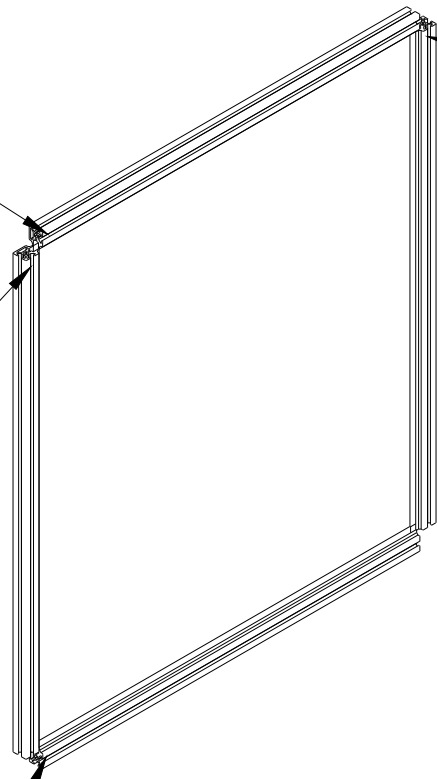
# Door Extrusions

**D1**  
2020 Door Extrusion, 564mm  
PN751

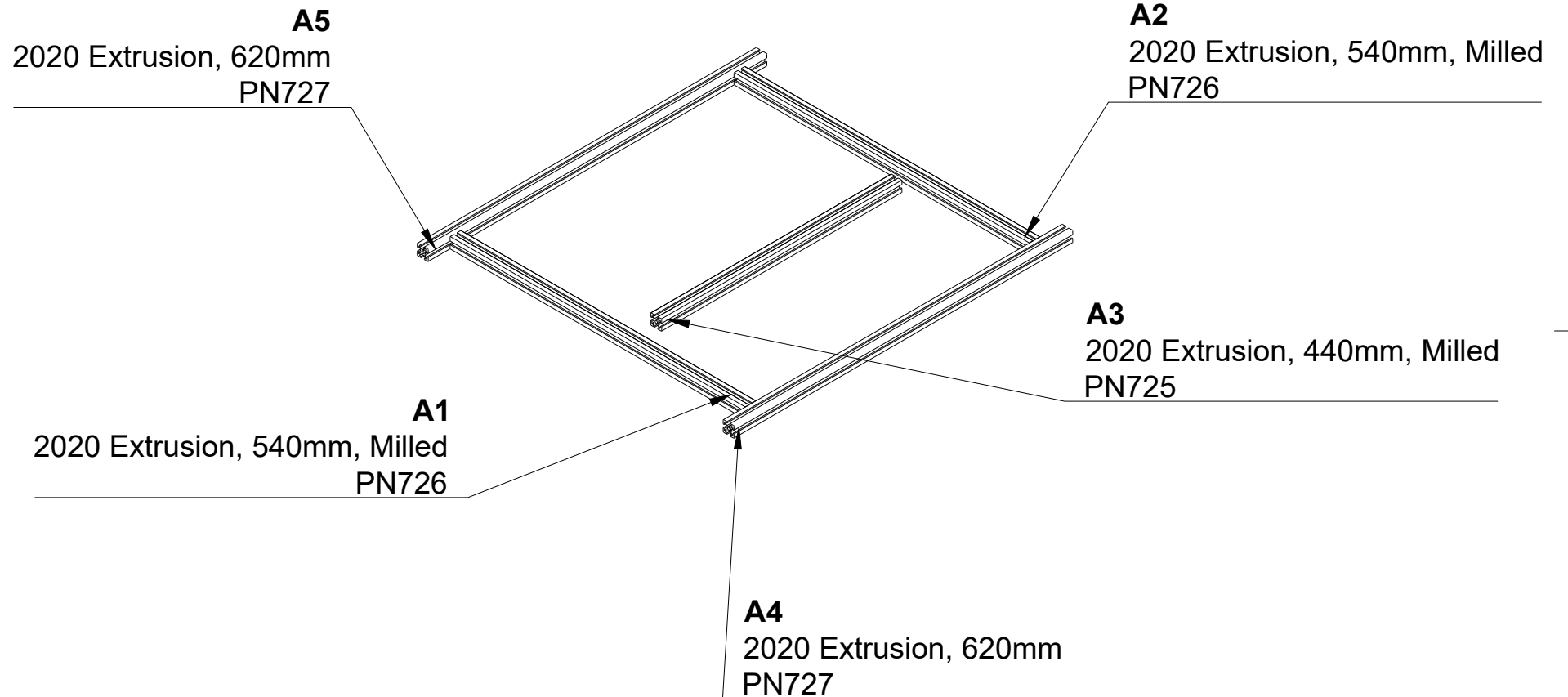
**D2**  
2020 Door Extrusion, 646mm  
PN752

**D4**  
2020 Door Extrusion, 564mm  
PN751

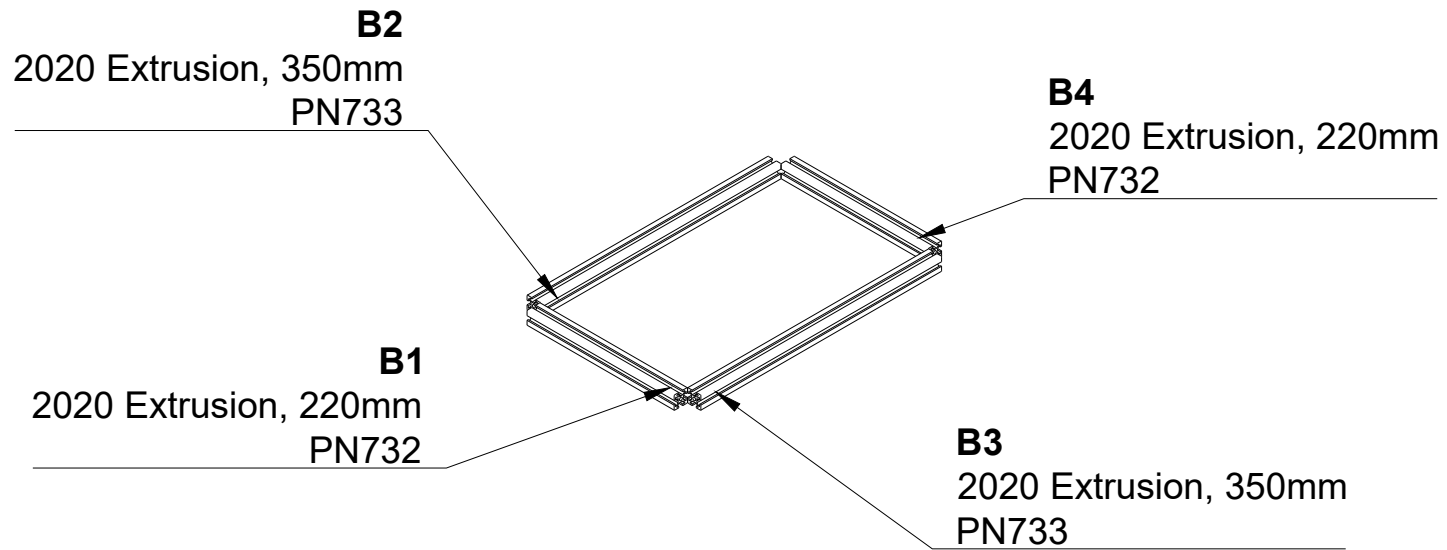
**D3**  
2020 Door Extrusion, 646mm  
PN752



# XY Frame and X Crossbar

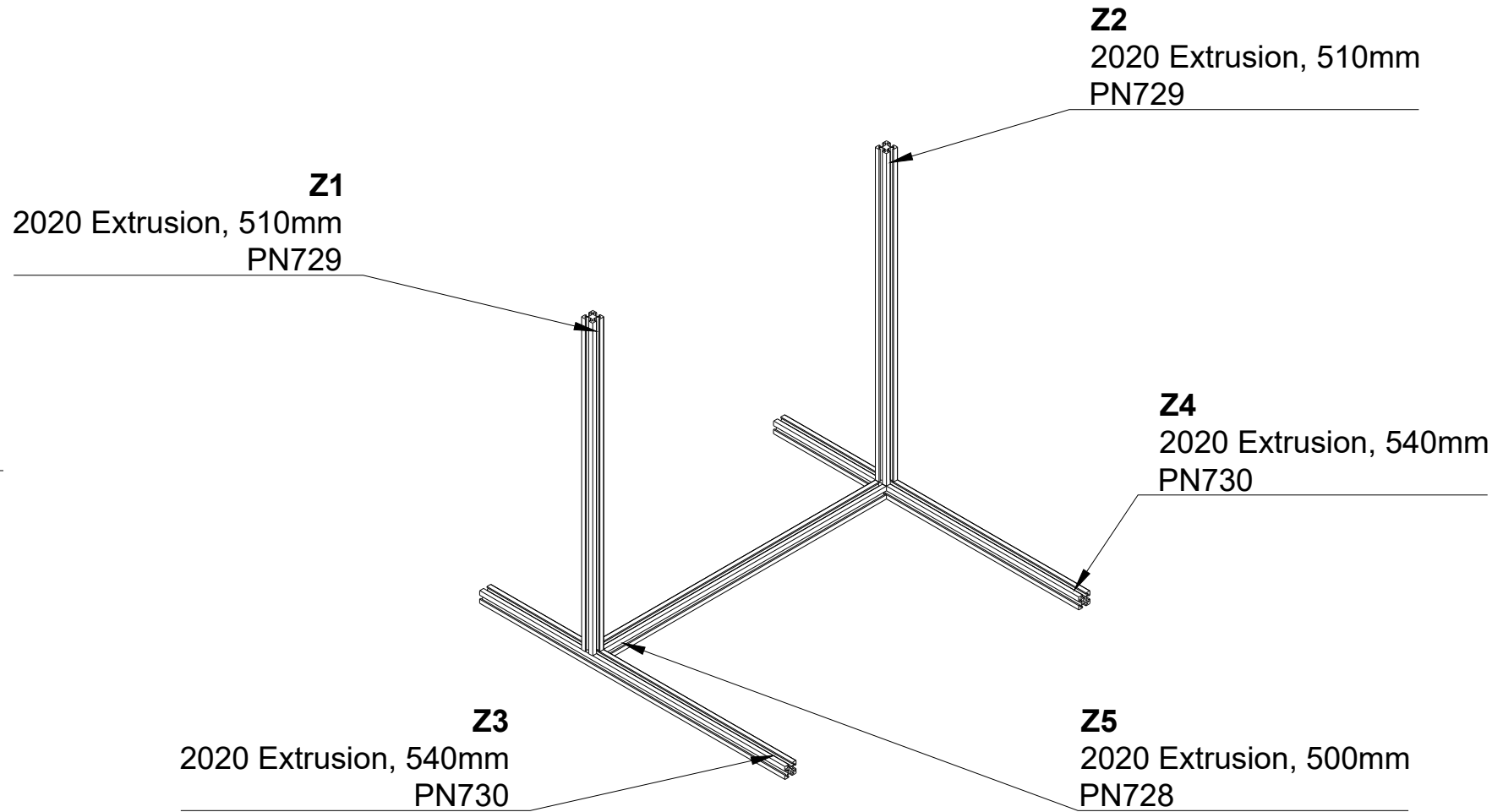


# Bed Frame





# Z Frame



# Electrical Mounting Bars

